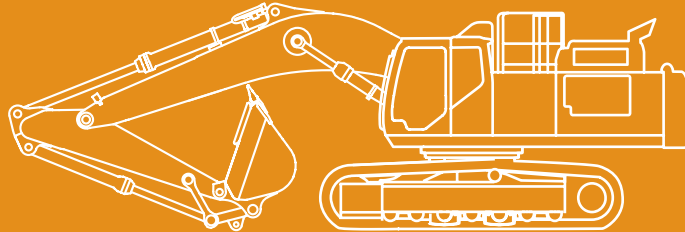


D-SERIES CRAWLER EXCAVATORS SPEC SHEET



ENGINE

Model _____ ISUZU AQ-6UZ1X
 Type _____ Water-cooled, 4-cycle diesel, 6-cylinder in line,
 High pressure common rail system (electric control).
 Turbocharger with air cooled intercooler,
 Without cooling fan, SCR system.
 Emissions _____ Tier 4 Final / Eu stage IV
 Number of cylinders/Displacement (l) _____ 6 / 9.84
 Bore and stroke (mm) _____ 120 x 145
Rated flywheel horse power
 (ISO 14396) _____ 270 kW / 362 hp at 2000 min⁻¹
 with fan-pump _____ 245 kW / 328.6 hp at 2000 min⁻¹
Maximum torque
 (ISO 14396) _____ 1363 N-m at 1500 min⁻¹

HYDRAULIC SYSTEM

Main pumps _____ 2 variable displacement axial piston pumps
 with regulating system
 Max. oil flow (l/min) _____ 2 x 364 at 2000 min⁻¹
Working circuit pressure
 Boom/Arm/Bucket (MPa) _____ 31.4
 34.3 with auto power up
 Swing circuit (MPa) _____ 29.4
 Travel circuit (MPa) _____ 34.3
Pilot pump _____ 1 gear pump
 Max. oil flow (l/min) _____ 30
 Working circuit pressure (MPa) _____ 3.9
Boom Cylinders
 Bore (mm) _____ 170
 Stroke (mm) _____ 1550
Arm Cylinders
 Bore (mm) _____ 190
 Stroke (mm) _____ 1920
Bucket Cylinders
 Bore (mm) _____ 170
 Stroke (mm) _____ 1335

SWING

Swing Motor _____ Fixed displacement axial piston motor
 Maximum swing speed (min⁻¹) _____ 9.1
 Swing torque (Nm) _____ 150000

FILTERS

Suction filter (µm) _____ 105
 Return filter (µm) _____ 6
 Pilot line filter (µm) _____ 8

ELECTRICAL SYSTEM

Voltage (V) _____ 24
 Alternator (Amp) _____ 50
 Starter (V/kW) _____ 24/5.5
 Battery _____ 2 X 12 V - 128 Ah/5HR

UNDERCARRIAGE

Travel motor _____ Variable displacement axial piston motor
 Travel speeds
 High (km/h - automatic travel speed shifting) _____ 5.3
 Low (km/h) _____ 3.2
 Drawbar pull (kN) _____ 339
 (Fixed sideframe undercarriage)

Number of carrier rollers

Fixed sideframe undercarriage _____ 2 (each side)
 Retractable sideframe undercarriage _____ 3 (each side)
 Number of track rollers (each side) _____ 9
 Number of shoes (each side) _____ 50

CIRCUIT AND COMPONENT CAPACITIES

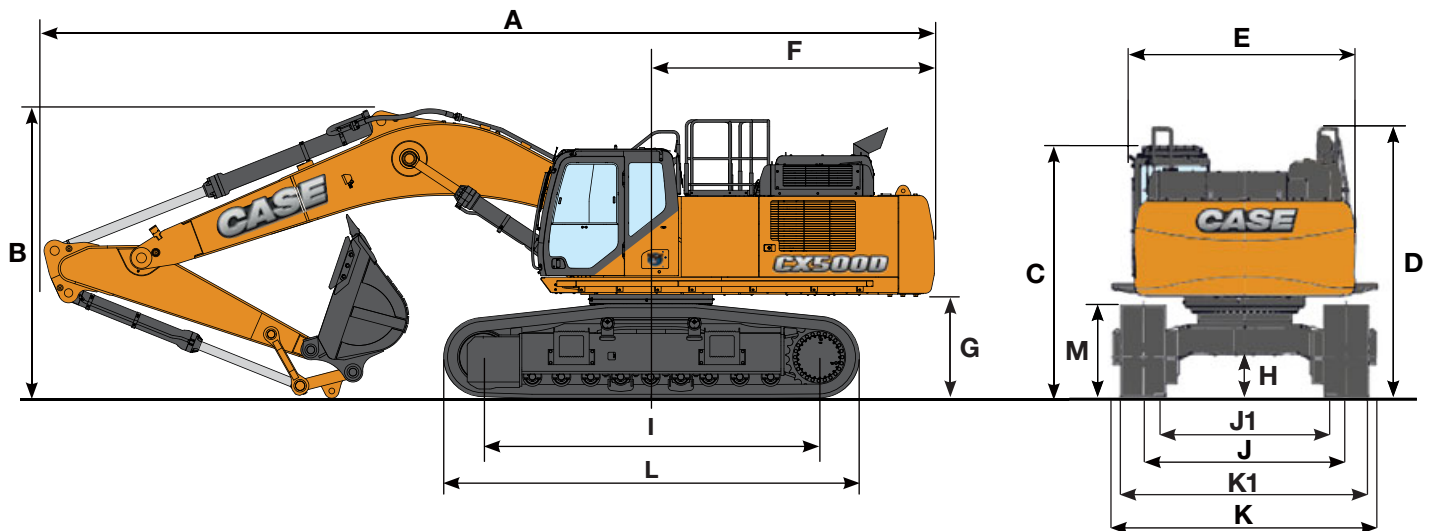
Fuel tank (l) _____ 650
 Hydraulic system (l) _____ 460
 Hydraulic tank (l) _____ 230
 Adblue tank (l) _____ 152

WEIGHT AND GROUND PRESSURE

(With 2.53 m arm, 3.0 m³ bucket, 600 mm grouser shoe)

CX500D ME	FIXED SIDEFRAME UNDERCARRIAGE	RETRACTABLE SIDEFRAME UNDERCARRIAGE
Weight	49600 kg	51000 kg
Ground Pressure	0.085 MPa	0.087 MPa
Counterweight	10000 kg	10000 kg

SPECIFICATIONS



GENERAL DIMENSIONS

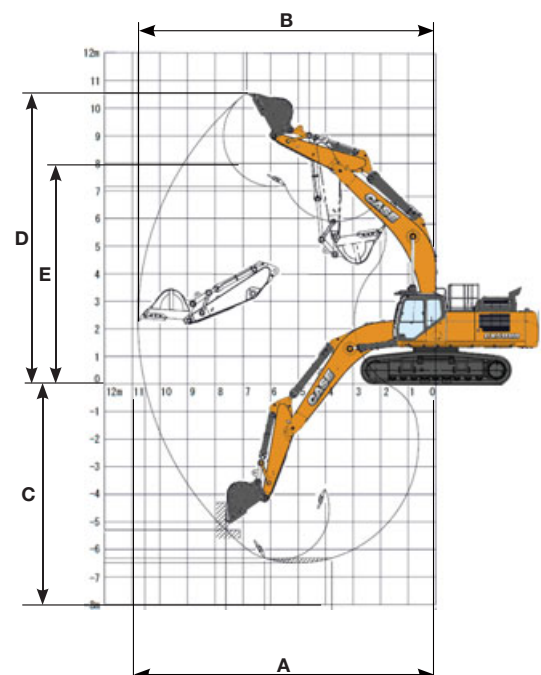
		FIXED SIDEFAME UNDERCARRIAGE	RETRACTABLE SIDEFAME UNDERCARRIAGE
		Arm 2.53 m	Arm 2.53 m
Overall length (without attachment)	mm	6450	6450
A Overall length (with attachment)	mm	11680	11660
B Overall height (with attachment)	mm	3800	3840
C Cab height	mm	3400	3550
D Overall height (to top of guardrail)	mm	3650	3800
Upper structure overall width (without catwalks)	mm	3060	3060
E Upper structure overall width (with catwalks)	mm	3590	3590
F Swing (rear end) radius	mm	3730	3730
G Clearance height under upper structure	mm	1330	1480
H Minimum ground clearance	mm	535	720
I Wheel base (center to center of wheels)	mm	4400	4400
L Crawler overall length	mm	5450	5450
M Crawler tracks height	mm	1240	1220
J Track gauge (extended)	mm	2750	2890
J1 Track gauge (retracted)	mm	-	2390
K Undercarriage overall width (extended with 600 mm shoes)	mm	3350	3490
K1 Undercarriage overall width (retracted with 600 mm shoes)	mm	-	2990

PERFORMANCE DATA

		FIXED SIDEFAME UNDERCARRIAGE	RETRACTABLE SIDEFAME UNDERCARRIAGE
		Arm 2.53 m	Arm 2.53 m
Boom length	mm	6550	6550
Bucket radius	mm	1840	1840
Bucket wrist action	°	160	160
A Maximum reach at GRP	mm	10550	10520
B Maximum reach	mm	10800	10800
C Max. digging depth	mm	6490	6340
D Max. digging height	mm	10550	10700
E Max. dumping height	mm	7160	7310

DIGGING FORCE (ISO 6015)

		Arm 2.53 m
Arm digging force	kN	245
with Auto power boost	kN	267
Bucket digging force	kN	287
with Auto power boost	kN	313



LIFTING CAPACITY

CX500D ME



LC UNDERCARRIAGE - Short arm, 2.53 m length, 600 mm shoes, bucket of 3.0 m³ HD (2400 kg). Maximum reach 10.90 m

9.0 m							7670*	7670*			6800*	6800*	8.04
7.5 m							9190*	9190*	7950*	7200	6440*	6440*	9.18
6.0 m				9910*	9910*		10200*	9970	9020*	7120	6360*	5730	9.89
4.5 m			17480*	17480*	13910*	13810	11300*	9640	9620*	6880	6410*	5130	10.31
3.0 m			21040*	20820	15940*	13170	12340*	9110	10190*	6590	6640*	4840	10.47
1.5 m			23410*	19270	17130*	12340	13040*	8650	10450*	6330	7090*	4810	10.40
0 m	11350*	11350*	23800*	18660	17230*	11850	13160*	8330	10430*	6150	7830*	5040	10.08
-1.5 m	17140*	17140*	22670*	19060	16740*	11810	12790*	8240	9780*	6150	8460*	5610	9.52
-3.0 m	25290*	2590*	20150*	19030*	15170*	12010	11390*	8450			8140*	6700	8.65
-4.5 m	20530*	20530*	15820*	15820*	11800*	11800*					7250*	7250*	7.38

RTC UNDERCARRIAGE - Short arm, 2.53 m length, 600 mm shoes, bucket of 3.0 m³ HD (2400 kg). Maximum reach 10.90 m

9.0 m							7670*	7670*			6800*	6800*	8.04
7.5 m							9190*	9190*	7950*	7790	6440*	6440*	9.18
6.0 m				9910*	9910*		10200*	10200*	9020*	7730	6360*	6270	9.89
4.5 m			17480*	17480*	13910*	13910*	11300*	10440	9620*	7490	6410*	5640	10.31
3.0 m			21040*	21040*	15940*	14300	12340*	9910	10190*	7200	6640*	5340	10.47
1.5 m			23410*	21110	17130*	13460	13040*	9440	10450*	6940	7090*	5320	10.40
0 m	11350*	11350*	23800*	20450	17230*	12960	13160*	9110	10430*	6760	7830*	5570	10.08
-1.5 m	17140*	17140*	22670*	20830	16740*	12910	12790*	9020	9780*	6760	8460*	6170	9.52
-3.0 m	25290*	25290*	20150*	20150*	15170*	13110	11390*	9230			8140*	7350	8.65
-4.5 m	20530*	20530*	15820*	15820*	11800*	11800*					7250*	7250*	7.38

* The above loads (kg) are compliant to the ISO standards and refer to the excavator equipped with bucket. The indicated loads are no more than 87% of hydraulic system lift capacity or 75% of static tipping load. Values marked with an asterisk (*) are limited by the hydraulic lifting capacity rather than the tipping load.

www.casece.com
EXPERTS FOR THE REAL WORLD
SINCE 1842

CASE
CONSTRUCTION



Form No. 20124GB - Printed in Italy - MediaCross Firenze - 02/16

**CNH INDUSTRIAL
DEUTSCHLAND GMBH**
Case Baumaschinen
Benzstr. 1-3 - D-74076 Heilbronn
DEUTSCHLAND

CNH INDUSTRIAL FRANCE, S.A.
16-18 Rue des Rochettes
91150 Morigny-Champigny
FRANCE

CNH INDUSTRIAL - UK
First Floor, Barclay Court 2,
Heavens Walk,
Doncaster - DN4 5HZ
UNITED KINGDOM

CNH INDUSTRIAL - SOUTH AFRICA
Waterfall Business Park
Bekker Street, Howick Close
1685 Midrand - Johannesburg
REPUBLIC OF SOUTH AFRICA

**CNH INDUSTRIAL
MAQUINARIA SPAIN, S.A.**
Avda. José Gárate, 11
28823 Coslada (Madrid)
ESPAÑA

CNH INDUSTRIAL ITALIA SPA
Strada di Settimo, 323
10099 San Mauro Torinese (TO)
ITALIA

**CASE CUSTOMER CENTRE
PARIS**
RN 330 - Penchard
77122 - Monthyon
FRANCE

CNH INDUSTRIAL - MIDDLE EAST
DAFZA - Dubai Airport Free Zone
West Wing 4 B, Office 642
P.O. Box 54588, Dubai,
UNITED ARAB EMIRATES

NOTE: Standard and optional fittings can vary according to the demands and specific regulations of each country. The illustrations may include optional rather than standard fittings - consult your Case dealer. Furthermore, CNH Industrial reserves the right to modify machine specifications without incurring any obligation relating to such changes.

Conforms to directive 2006/42/EC

CASE Customer Assistance
00800-2273-7373

The call is free from a land line.
Check in advance with your Mobile Operator if you will be charged. Toll free number not available from all calling areas.

