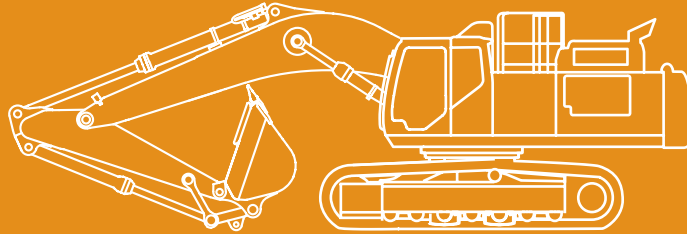


D-SERIES CRAWLER EXCAVATORS SPEC SHEET



ENGINE

Model _____ ISUZU AQ-6UZ1X
 Type _____ Water-cooled, 4-cycle diesel, 6-cylinder in line,
 High pressure common rail system (electric control).
 Turbocharger with air cooled intercooler, SCR system.
 Emissions _____ Tier 4 Final / Eu stage IV
 Number of cylinders/Displacement (l) _____ 6 / 9.84
 Bore and stroke (mm) _____ 120 x 145
Rated flywheel horse power
 ISO 14396 _____ 270 kW / 362 hp at 2000 min⁻¹
 with fan-pump _____ 245 kW / 328.6 hp at 2000 min⁻¹
Maximum torque
 ISO 14396 _____ 1363 N-m at 1500 min⁻¹

HYDRAULIC SYSTEM

Main pumps _____ 2 variable displacement axial piston pumps
 with regulating system
 Max. oil flow (l/min) _____ 2 x 364 at 2000 min⁻¹
Working circuit pressure
 Boom/Arm/Bucket (MPa) _____ 31.4
 _____ 34.3 with auto power up
 Swing circuit (MPa) _____ 29.4
 Travel circuit (MPa) _____ 34.3
Pilot pump _____ 1 gear pump
 Max. oil flow (l/min) _____ 30
 Working circuit pressure (MPa) _____ 3.9
Boom Cylinders
 Bore (mm) _____ 170
 Stroke (mm) _____ 1550
Arm Cylinders
 Bore (mm) _____ 190
 Stroke (mm) _____ 1920
Bucket Cylinders
 Bore (mm) _____ 165
 Stroke (mm) _____ 1285

SWING

Swing Motor _____ Fixed displacement axial piston motor
 Maximum swing speed (min⁻¹) _____ 9.1
 Swing torque (Nm) _____ 150000

FILTERS

Suction filter (µm) _____ 105
 Return filter (µm) _____ 6
 Pilot line filter (µm) _____ 8

ELECTRICAL SYSTEM

Voltage (V) _____ 24
 Alternator (Amp) _____ 50
 Starter (V/kW) _____ 24/5.5
 Battery _____ 2 X 12 V - 128 Ah/5HR

UNDERCARRIAGE

Travel motor _____ variable displacement axial piston motor
 Travel speeds
 High (km/h - automatic travel speed shifting) _____ 5.3
 Low (km/h) _____ 3.2
 Drawbar pull (kN) _____ 339
 (Fixed sideframe undercarriage)

Number of carrier rollers

Fixed sideframe undercarriage _____ 2 (each side)
 Retractable sideframe undercarriage _____ 3 (each side)
 Number of track rollers (each side) _____ 9
 Number of shoes (each side) _____ 50

CIRCUIT AND COMPONENT CAPACITIES

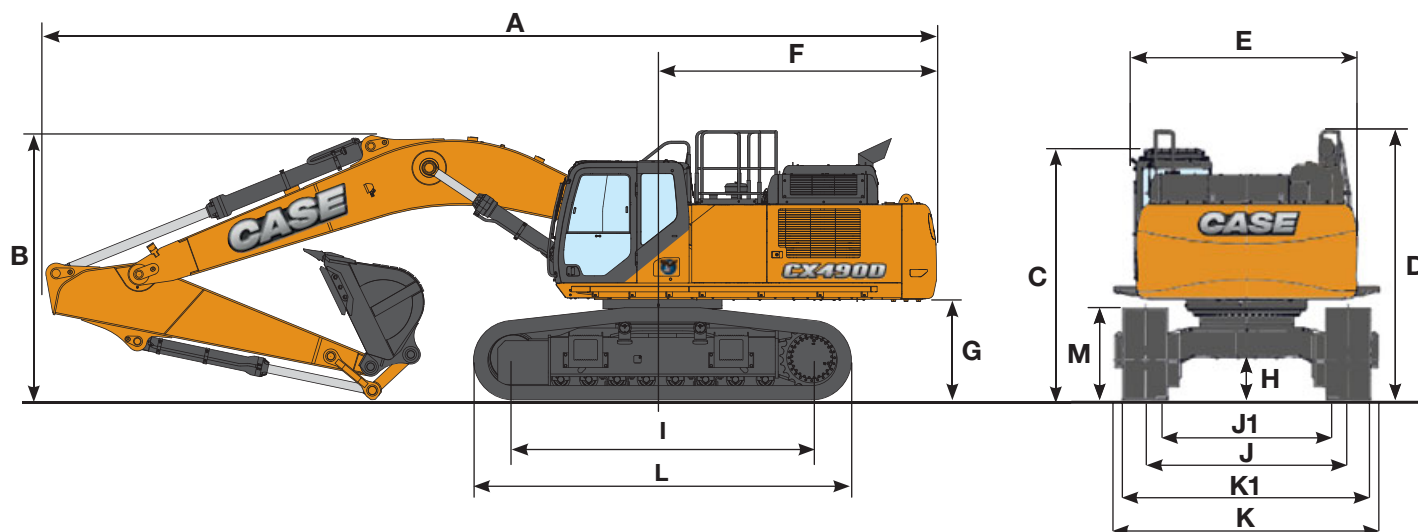
Fuel tank (l) _____ 650
 Hydraulic system (l) _____ 460
 Hydraulic tank (l) _____ 230
 Adblue tank (l) _____ 152

WEIGHT AND GROUND PRESSURE

(with 3.38 m Arm, 2.0 m³ HD bucket, 600 mm grouser shoe)

CX490D	FIXED SIDEFRAME UNDERCARRIAGE	RETRACTABLE SIDEFRAME UNDERCARRIAGE
Weight	49400 kg	50900 kg
Ground Pressure	0.085 MPa	0.087 MPa
Counterweight	10000 kg	10000 kg

SPECIFICATIONS



GENERAL DIMENSIONS

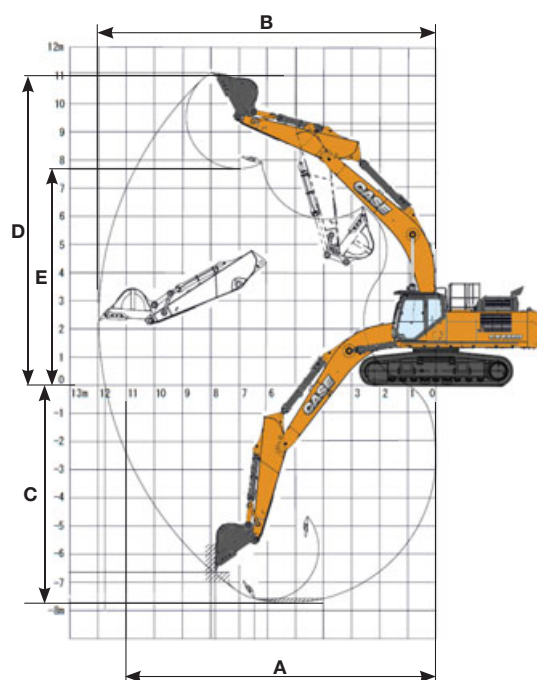
		FIXED SIDEFRAME UNDERCARRIAGE		RETRACTABLE SIDEFRAME UNDERCARRIAGE	
		Arm 3.38 m	Arm 2.53 m	Arm 3.38 m	Arm 2.53 m
Overall length (without attachment)	mm	6450	6450	6450	6450
A Overall length (with attachment)	mm	12090	12110	12060	12090
B Overall height (with attachment)	mm	3650	3670	3680	3720
C Cab height	mm	3400	3400	3550	3550
D Overall height (to top of guardrail)	mm	3650	3650	3800	3800
Upper structure overall width (without catwalks)	mm	3060	3060	3060	3060
E Upper structure overall width (with catwalks)	mm	3590	3590	3590	3590
F Swing (rear end) radius	mm	3730	3730	3730	3730
G Clearance height under upper structure	mm	1330	1330	1480	1480
H Minimum ground clearance	mm	535	535	720	720
I Wheel base (center to center of wheels)	mm	4400	4400	4400	4400
L Crawler overall length	mm	5450	5450	5450	5450
M Crawler tracks height	mm	1240	1240	1220	1220
J Track gauge (extended)	mm	2750	2750	2890	2890
J1 Track gauge (retracted)	mm	-	-	2390	2390
K Undercarriage overall width (extended with 600 mm shoes)	mm	3350	3350	3490	3490
K1 Undercarriage overall width (retracted with 600 mm shoes)	mm	-	-	2990	2990

PERFORMANCE DATA

		FIXED SIDEFRAME UNDERCARRIAGE		RETRACTABLE SIDEFRAME UNDERCARRIAGE	
		Arm 3.38 m	Arm 2.53 m	Arm 3.38 m	Arm 2.53 m
Boom length	mm	6980	6980	6980	6980
Bucket radius	mm	1840	1840	1840	1840
Bucket wrist action	°	176	176	176	176
A Maximum reach at GRP	mm	11750	10980	11720	10980
B Maximum reach	mm	11970	11220	11970	11220
C Max. digging depth	mm	7720	6870	7570	6720
D Max. digging height	mm	11100	10850	11250	11000
E Max. dumping height	mm	7690	7410	7840	7560

DIGGING FORCE (ISO 6015)

		Arm 3.38 m	Arm 2.53 m
Arm digging force	kN	201	246
with Auto power up	kN	220	269
Bucket digging force	kN	247	247
with Auto power up	kN	270	270



LIFTING CAPACITY

CX490D

Front Side	REACH												
	1.5 m	3.0 m	4.5 m	6.0 m	7.5 m	9.0 m	10.5 m	At max reach					

LC UNDERCARRIAGE - Short arm, 2.53 m length, 600 mm shoes, bucket of 2.0 m³ HD (1950 kg). Maximum reach 11.20 m

9.0 m								6920*	6920*					7790*	7790*	8.39
7.5 m								9520*	9520*	8780*	7440			7460*	6640	9.48
6.0 m						12230*	12230*	10440*	10070	9270*	7260			7400*	5610	10.19
4.5 m				18490*	18490*	14410*	13760	11460*	9560	9840*	6970	8550*	5160	7530*	5040	10.60
3.0 m				22000*	19800	16310*	12890	12520*	9050	10290*	6670	8740*	5020	7800*	4780	10.75
1.5 m				16390*	16390*	17270*	12130	13180*	8610	10620*	6400	8700	4900	8310*	4750	10.67
0 m				19610*	18080	17240*	11710	13260*	8310	10600*	6230			8540*	4960	10.36
-1.5 m		15790*	15790*	22140*	18550	16710*	11750	12930*	8280	10090*	6240			8430*	5480	9.79
-3.0 m		23030*	23030*	19740*	18880	15230*	11970	11710*	8470					8130*	6480	8.92
-4.5 m		19800*	19800*	15880*	15880*	12290*	12040*	8490*	8490*					7380*	7380*	7.68

LC UNDERCARRIAGE - STD arm, 3.38 m length, 600 mm shoes, bucket of 1.80 m³ HD (1940 kg). Maximum reach 12.00 m

9.0 m										6980*	6980*			5410*	5410*	9.37	
7.5 m										7950*	7630			5200*	5200*	10.35	
6.0 m								9320*	9320*	8570*	7410	7570*	5390	5170*	4830	10.99	
4.5 m						12960*	12960*	10530*	9820	9010*	7080	7920*	5220	5270*	4360	11.36	
3.0 m				20330*	20330*	15160*	13260	11760*	9210	9730*	6720	8300*	5020	5500*	4130	11.50	
1.5 m				22570*	19180	16660*	12350	12700*	8680	10260*	6400	8550*	4840	5880*	4090	11.43	
0 m			8790*	8790*	21900*	18310	17140*	11740	13110*	8290	10460*	6150	8500	4710	6460*	4230	11.14
-1.5 m	9780*	9780*	14350*	14350*	23120*	18510	16920*	11560	12980*	8120	10290*	6050	8040*	4710	7390*	4610	10.62
-3.0 m	15920*	15920*	19900*	19900*	21440*	18760	16030*	11680	12340*	8190	9470*	6160			7680*	5320	9.83
-4.5 m			24970*	24970*	18440*	18440*	14000*	11990	10560*	8500					7390*	6650	8.71

RTC UNDERCARRIAGE - Short arm, 2.53 m length, 600 mm shoes, bucket of 2.0 m³ HD (1950 kg). Maximum reach 11.20 m

9.0 m								6920*	6920*					7790*	7790*	8.39
7.5 m								9520*	9520*	8780*	8060			7460*	7210	9.48
6.0 m						12230*	12230*	10440*	10440*	9270*	7880			7400*	6130	10.19
4.5 m				18490*	18490*	14410*	14410*	11460*	10390	9840*	7590	8550*	5660	7530*	5530	10.60
3.0 m				22000*	21640	16310*	14010	12520*	9840	10290*	7280	8740*	5520	7800*	5260	10.75
1.5 m				16390*	16390*	17270*	13230	13180*	9400	10620*	7010	8760*	5390	8310*	5230	10.67
0 m				19610*	19610*	17240*	12810	13260*	9100	10600*	6840			8540*	5460	10.36
-1.5 m		15790*	15790*	22140*	20250	16710*	12840	12930*	9060	10090*	6850			8430*	6020	9.79
-3.0 m		23030*	23030*	19740*	19740*	15230*	13060	11710*	9250					8130*	7090	8.92
-4.5 m		19800*	19800*	15880*	15880*	12290*	12290*	8490*	8490*					7380*	7380*	7.68

RTC UNDERCARRIAGE - STD arm, 3.05 m length, 600 mm shoes, bucket of 0.62 m³ HD (480 kg). Maximum reach 9.38 m

9.0 m										6980*	6980*			5410*	5410*	9.37	
7.5 m										7950*	7950*			5200*	5200*	10.35	
6.0 m								9320*	9320*	8570*	8030	7570*	5890	5170*	5170*	10.99	
4.5 m						12960*	12960*	10530*	10450	9010*	7700	7920*	5720	5270*	4810	11.36	
3.0 m				20330*	20330*	15160*	14330	11760*	10010	9730*	7340	8300*	5520	5500*	4570	11.50	
1.5 m				22570*	20980	16660*	13460	12700*	9470	10260*	7010	8550*	5330	5880*	4530	11.43	
0 m			8790*	8790*	21900*	20030	17140*	12850	13110*	9070	10460*	6760	8540*	5200	6460*	4690	11.14
-1.5 m	9780*	9780*	14350*	14350*	23120*	20060	16920*	12660	12980*	8900	10290*	6660	8040*	5200	7390*	5100	10.62
-3.0 m	15920*	15920*	19900*	19900*	21440*	20380	16030*	12770	12340*	8970	9470*	6760			7680*	5860	9.83
-4.5 m			24970*	24970*	18440*	18440*	14000*	12930	10560*	9210					7390*	7280	8.71

* The above loads (kg) are compliant to the ISO standards and refer to the excavator equipped with bucket. The indicated loads are no more than 87% of hydraulic system lift capacity or 75% of static tipping load. Values marked with an asterisk (*) are limited by the hydraulic lifting capacity rather than the tipping load.

www.casece.com
EXPERTS FOR THE REAL WORLD
SINCE 1842

CASE
CONSTRUCTION



Form No. 20123GB - Printed in Italy - MediaCross Firenze - 02/16

**CNH INDUSTRIAL
DEUTSCHLAND GMBH**
Case Baumaschinen
Benzstr. 1-3 - D-74076 Heilbronn
DEUTSCHLAND

CNH INDUSTRIAL FRANCE, S.A.
16-18 Rue des Rochettes
91150 Morigny-Champigny
FRANCE

CNH INDUSTRIAL - UK
First Floor, Barclay Court 2,
Heavens Walk,
Doncaster - DN4 5HZ
UNITED KINGDOM

CNH INDUSTRIAL - SOUTH AFRICA
Waterfall Business Park
Bekker Street, Howick Close
1685 Midrand - Johannesburg
REPUBLIC OF SOUTH AFRICA

**CNH INDUSTRIAL
MAQUINARIA SPAIN, S.A.**
Avda. José Gárate, 11
28823 Coslada (Madrid)
ESPAÑA

CNH INDUSTRIAL ITALIA SPA
Strada di Settimo, 323
10099 San Mauro Torinese (TO)
ITALIA

**CASE CUSTOMER CENTRE
PARIS**
RN 330 - Penchard
77122 - Monthyon
FRANCE

CNH INDUSTRIAL - MIDDLE EAST
DAFZA - Dubai Airport Free Zone
West Wing 4 B, Office 642
P.O. Box 54588, Dubai,
UNITED ARAB EMIRATES

NOTE: Standard and optional fittings can vary according to the demands and specific regulations of each country. The illustrations may include optional rather than standard fittings - consult your Case dealer. Furthermore, CNH Industrial reserves the right to modify machine specifications without incurring any obligation relating to such changes.

Conforms to directive 2006/42/EC

CASE Customer Assistance
00800-2273-7373

The call is free from a land line.
Check in advance with your Mobile Operator if you will be charged. Toll free number not available from all calling areas.

