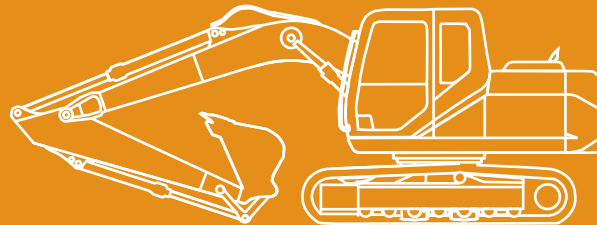


## D-SERIES CRAWLER EXCAVATORS SPEC SHEET



### ENGINE

Model \_\_\_\_\_ ISUZU AR-4JJ1X  
 Type \_\_\_\_\_ Water-cooled, 4-cycle diesel, 4-cylinder in line,  
 High pressure common rail system (electric control),  
 turbocharger with air cooled intercooler, SCR system

Emissions \_\_\_\_\_ Tier 4 final / Eu stage IV  
 Number of cylinders/Displacement (l) \_\_\_\_\_ 4 / 2.99  
 Bore and stroke (mm) \_\_\_\_\_ 95.4 X 104.9

#### Rated flywheel horse power

(ISO 9249) \_\_\_\_\_ 76.4 kW at 2000 min<sup>-1</sup>  
 (ISO 14396) \_\_\_\_\_ 78.5 kW at 2000 min<sup>-1</sup>

#### Maximum torque

(ISO 9249) \_\_\_\_\_ 349 Nm at 1800 min<sup>-1</sup>  
 (ISO 14396) \_\_\_\_\_ 356 Nm at 1800 min<sup>-1</sup>

### HYDRAULIC SYSTEM

Main pumps \_\_\_\_\_ 2 variable displacement axial piston pumps  
 with regulating system

Max. oil flow (l/min) \_\_\_\_\_ 2 × 129 at 2000 min<sup>-1</sup>

#### Working circuit pressure

Boom/Arm/Bucket (MPa) \_\_\_\_\_ 34.3  
 36.3 with auto power boost

Swing circuit (MPa) \_\_\_\_\_ 27.9  
 Travel circuit (MPa) \_\_\_\_\_ 34.3

**Pilot pump** \_\_\_\_\_ 1 gear pump

Max. oil flow (l/min) \_\_\_\_\_ 20

Working circuit pressure (MPa) \_\_\_\_\_ 3.9

**Blade pump (CX130D Blade)** \_\_\_\_\_ 1 gear pump

Max. oil flow (l/min) \_\_\_\_\_ 54 at 2000 min<sup>-1</sup>

Working circuit pressure (MPa) \_\_\_\_\_ 20.6

#### Boom Cylinders

Bore (mm) \_\_\_\_\_ 105

Stroke (mm) \_\_\_\_\_ 961

#### Arm Cylinders

Bore (mm) \_\_\_\_\_ 115

Stroke (mm) \_\_\_\_\_ 1108

#### Bucket Cylinders

Bore (mm) \_\_\_\_\_ 95

Stroke (mm) \_\_\_\_\_ 881

### SWING

Swing Motor \_\_\_\_\_ Fixed displacement axial piston motor

Maximum swing speed (min<sup>-1</sup>) \_\_\_\_\_ 14.3

Swing torque (Nm) \_\_\_\_\_ 33.000

### FILTERS

Suction filter (µm) \_\_\_\_\_ 105

Return filter (µm) \_\_\_\_\_ 6

Pilot line filter (µm) \_\_\_\_\_ 8

### ELECTRICAL SYSTEM

Voltage (V) \_\_\_\_\_ 24

Alternator (Amp) \_\_\_\_\_ 50

Starter (V/kW) \_\_\_\_\_ 24/4.0

Battery \_\_\_\_\_ 2 X 12 V 72 Ah/5HR

### UNDERCARRIAGE

**Travel motor** \_\_\_\_\_ Variable displacement axial piston motor

#### Travel speeds

High (km/h) \_\_\_\_\_ 5.6

Low (km/h) \_\_\_\_\_ 3.4

Automatic travel speed shifting

Drawbar pull (kN) \_\_\_\_\_ 116

#### CX130D BLADE

Number of carrier rollers (each side) \_\_\_\_\_ 1

Number of track rollers (each side) \_\_\_\_\_ 7

Number of shoes (each side) \_\_\_\_\_ 43

#### CX130D LC

Number of carrier rollers (each side) \_\_\_\_\_ 1

Number of track rollers (each side) \_\_\_\_\_ 7

Number of shoes (each side) \_\_\_\_\_ 46

### CIRCUIT AND COMPONENT CAPACITIES

Fuel tank (l) \_\_\_\_\_ 260

Hydraulic system (l) \_\_\_\_\_ 157

Hydraulic tank (l) \_\_\_\_\_ 82

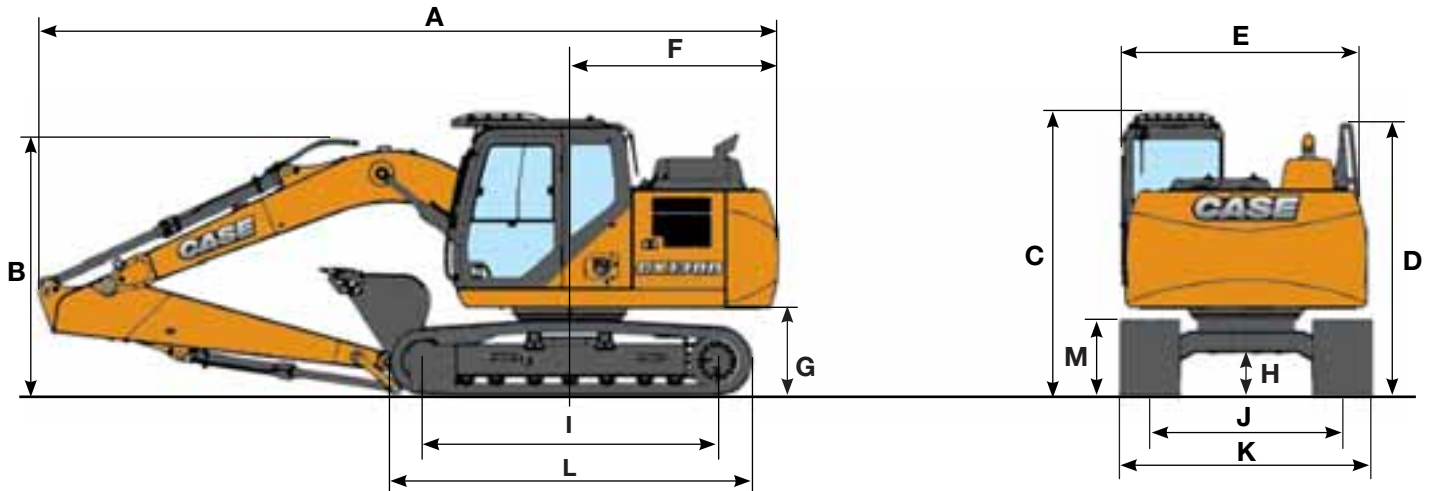
Adblue tank (l) \_\_\_\_\_ 75

### WEIGHT AND GROUND PRESSURE

with 2.50 m Arm , 0.5 m<sup>3</sup> Bucket , 600 mm grouser shoe, operator,  
 lubricant, coolant, full fuel tank and top guard OPG level 2

CX130D	BLADE	LC
Weight	14.000 kg	13.400 kg
Ground Pressure	0.038 MPa	0.033 MPa
Counterweight	1.990 kg	

# SPECIFICATIONS



## GENERAL DIMENSIONS

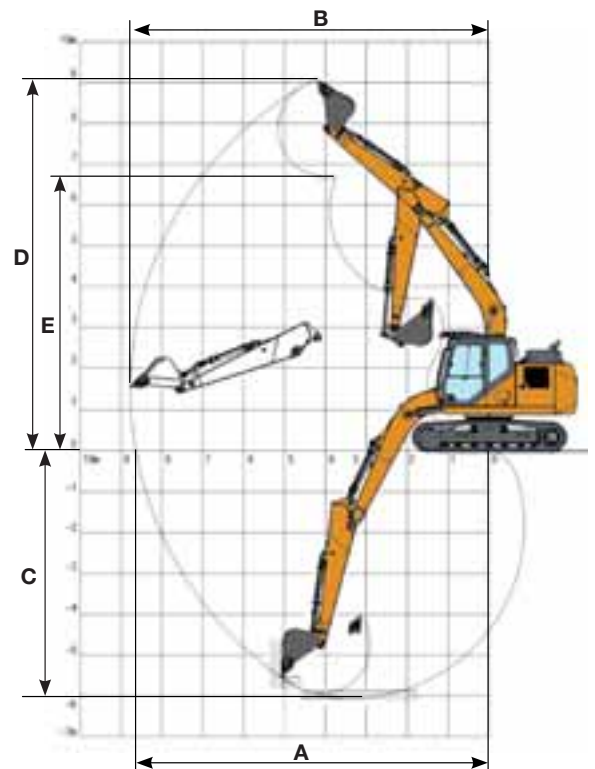
	mm	BLADE			LC		
		Arm 2.50 m	Arm 3.01 m	Arm 2.11 m	Arm 2.50 m	Arm 3.00 m	Arm 2.10 m
Overall length (without attachment)	mm	4160	4160	4160	4030	4030	4030
A Overall length (with attachment)	mm	7900	7900	7890	7650	7640	7640
B Overall height (to top of boom)	mm	2770	2640	2680	2770	2640	2680
C Cab height	mm	2920	2920	2920	2920	2920	2920
D Overall height (to top of handrail)	mm	2810	2810	2810	2810	2810	2810
E Upper structure overall width	mm	2530	2530	2530	2530	2530	2530
F Swing (rear end) radius	mm	2170	2170	2170	2170	2170	2170
G Clearance height under upper structure	mm	895	895	895	895	895	895
H Minimum ground clearance	mm	425	425	425	420	420	420
I Wheel base (Center to center of wheels)	mm	2790	2790	2790	3040	3040	3040
L Crawler overall length	mm	3500	3500	3500	3760	3760	3760
M Crawler tracks height	mm	780	780	780	780	780	780
J Track gauge	mm	1990	1990	1990	1990	1990	1990
K Undercarriage overall width (with 600 mm shoes)	mm	2590	2590	2590	2590	2590	2590

## PERFORMANCE DATA

		Arm 2.50 m	Arm 3.01 m	Arm 2.11 m
Boom length	mm	4630	4630	4630
Bucket radius	mm	1200	1200	1200
Bucket wrist action	°	178	178	178
A Maximum reach at GRP	mm	8170	8640	7810
B Maximum reach	mm	8310	8770	7960
C Max. digging depth	mm	5550	6050	5160
D Max. digging height	mm	8770	9050	8550
E Max. dumping height	mm	6390	6680	6170

## DIGGING FORCE (ISO 6015)

		Arm 2.50 m	Arm 3.01 m	Arm 2.11 m
Arm digging force	kN	62	56	70
with Auto power up	kN	66	60	74
Bucket digging force	kN	90	90	90
with Auto power up	kN	95	95	95



# LIFTING CAPACITY

## CX130D

Front Side	REACH													
	0 m		1.5 m		3.0 m		4.5 m		6.0 m		7.5 m		At max reach	

### BLADE DOWN - 2.50 m length, 600 mm shoes, bucket of 0.50 m<sup>3</sup> (400 kg). Maximum reach 8.31 m

7.5 m								1830*	1830*					1420*	1420*	5.22
6.0 m														1210*	1210*	6.70
4.5 m								2900*	2900*					1140*	1140*	7.53
3.0 m					5260*	5260*	3950*	3750*	5260*	5260*				1140*	1140*	7.94
1.5 m					7700*	6720	5060*	3520	7700*	6720				1210*	1210*	8.02
0 m			2490*	2490*	7980*	6240	5800*	3310	7980*	6240	2490*	2490*		1350*	1350*	7.80
-1.5 m			5020*	5020*	9240*	6200	5940*	3220	9240*	6200	5020*	5020*		1610*	1560	7.25
-3.0 m			7810*	7810*	8520*	6300	5600*	3270	8520*	6300	7810*	7810*		2180*	1960	6.31
-4.5 m					6460*	6370*	4000*	3390*	6460*	6370*				3490*	3080	4.76

### BLADE DOWN - 2.11 m length, 600 mm shoes, bucket of 0.55 m<sup>3</sup> (410 kg). Maximum reach 7.96 m

7.5 m								2060*	2060*					1760*	1760*	4.60
6.0 m								2890*	2890*	2270*	2270*			1460*	1460*	6.26
4.5 m								3230*	3230*	3010*	2390			1360*	1360*	7.14
3.0 m					5670*	5670*	4250*	3690	3450*	2300	1800*	1530		1370*	1370*	7.58
1.5 m					8010*	6490	5280*	3440	3940*	2180	2360*	1490		1430*	1430	7.67
0 m					7280*	6100	5860*	3250	4230*	2090				1590*	1480	7.44
-1.5 m			5450*	5450*	9080*	6180	5880*	3200	4200*	2060				1920*	1690	6.86
-3.0 m			8150*	8150*	8050*	6320	5340*	3280						2660*	2190	5.85
-4.5 m					5470*	5470*								3800*	3800*	4

### BLADE DOWN - 3.01 m length, 600 mm shoes, bucket of 0.37 m<sup>3</sup> (340 kg). Maximum reach 8.77 m

7.5 m														1360*	1360*	5.96
6.0 m										2230*	2230*			1190*	1190*	7.26
4.5 m										2590*	2470	2040*	1660	1130*	1130*	8.02
3.0 m							3440*	3440*	2970*	2400	2580*	1610		1140*	1140*	8.40
1.5 m					6600*	6600*	4680*	3580	3610*	2250	3020*	1540		1200*	1200*	8.49
0 m			2590*	2590*	8530*	6270	5560*	3320	4070*	2130	3240*	1480		1330*	1250	8.28
-1.5 m	3740*	3740*	4550*	4550*	9090*	6090	5890*	3180	4240*	2050	2620*	1450		1560*	1380	7.76
-3.0 m	5030*	5030*	6650*	6650*	8830*	6160	5730*	3200	4060*	2080				2030*	1630	6.89
-4.5 m			10680*	10680*	7320*	6350	4760*	3360						3270*	2430	5.49

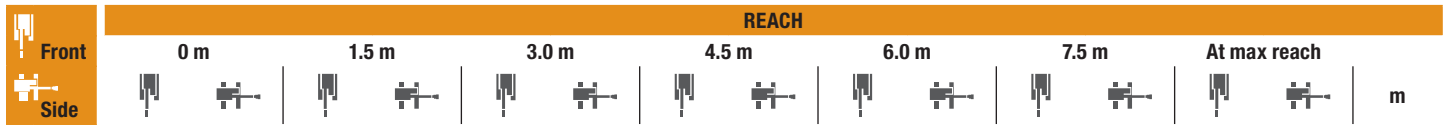
### BLADE UP - 2.50 m length, 600 mm shoes, bucket of 0.50 m<sup>3</sup> (400 kg). Maximum reach 8.31 m

7.5 m								1830*	1830*					1420*	1420*	5.22
6.0 m										2370*	2340			1210*	1210*	6.70
4.5 m								2900*	2900*	2830	2300	1240*	1240*	1140*	1140*	7.53
3.0 m					5260*	5260*	3950*	3540	2910	2200	1970	1470		1140*	1140*	7.94
1.5 m					7700*	6190	4450	3280	2780	2080	1910	1420		1210*	1210*	8.02
0 m			2490*	2490*	7980*	5730	4230	3070	2670	1970	1870	1370		1350*	1280	7.80
-1.5 m			5020*	5020*	8340	5690	4130	2990	2620	1930				1610*	1440	7.25
-3.0 m			7810*	7810*	8440*	5790	4170	3030	2680	1990				2180*	1820	6.31
-4.5 m					6490*	5920	4000*	3160						3490*	2860	4.76

### BLADE UP - 2.11 m length, 600 mm shoes, bucket of 0.55 m<sup>3</sup> (410 kg). Maximum reach 7.96 m

7.5 m								2060*	2060*					1760*	1760*	4.60
6.0 m								2890*	2890*	2270*	2260			1460*	1460*	6.26
4.5 m								3230*	3230*	2940	2240			1360*	1360*	7.14
3.0 m					5670*	5670*	4250*	3450	2850	2140	1800*	1420		1370*	1370*	7.58
1.5 m					8010*	5970	4360	3190	2730	2030	1880	1380		1430*	1320	7.67
0 m					7280*	5600	4160	3010	2630	1930				1590*	1370	7.44
-1.5 m			5450*	5450*	8300	5670	4100	2960	2610	1910				1920*	1560	6.86
-3.0 m			8150*	8150*	8050*	5800	4180	3040						2660*	2040	5.85
-4.5 m					5470*	5470*								3800*	3740	4

\* The above loads (kg) are compliant to the ISO standards and refer to the excavator equipped with bucket. The indicated loads are no more than 87% of hydraulic system lift capacity or 75% of static tipping load. Values marked with an asterisk (\*) are limited by the hydraulic lifting capacity rather than the tipping load.



**BLADE UP - 3.01 m length, 600 mm shoes, bucket of 0.37 m<sup>3</sup> (340 kg). Maximum reach 8.77 m**

7.5 m														1360*	1360*	5.96
6.0 m									2230*	2230*				1190*	1190*	7.26
4.5 m									2590*	2350	2040*	1550		1130*	1130*	8.02
3.0 m								3440*	3440*	2940*	2240	2000	1500	1140*	1140*	8.40
1.5 m					6600*	6370	4480	3340	2810	2100	1930	1430	1200*	1130		8.49
0 m			2590*	2590*	8500*	5750	4240	3080	2680	1970	1870	1370	1330*	1150		8.28
-1.5 m	3740*	3740*	4550*	4550*	8240	5580	4090	2940	2600	1900	1840	1340	1560*	1270		7.76
-3.0 m	5030*	5030*	6650*	6650*	8380	5650	4100	2960	2620	1920			2030*	1550		6.89
-4.5 m			10680*	10680*	7320*	5850	4210	3120					3070	2250		5.49

**LC UNDERCARRIAGE - 2.50 m length, 600 mm shoes, bucket of 0.50 m<sup>3</sup> (400 kg). Maximum reach 8.31 m**

7.5 m								1830*	1830*							5.22
6.0 m										2370*	2230					6.70
4.5 m								2900*	2900*	2830*	2190	1240*	1240*			7.53
3.0 m					5260*	5260*	3950*	3380	3250	2090	2230	1390				7.94
1.5 m					7700*	5920	5030	3130	3150	1970	2170	1330				8.02
0 m			2490*	2490*	7980*	5460	4840	2920	3040	1870	2120	1290				7.80
-1.5 m			5020*	5020*	9240*	5420	4740	2830	2990	1820						7.25
-3.0 m			7810*	7810*	8520*	5520	4780	2880	3040	1880						6.31
-4.5 m					6460*	5680	4000*	3010								4.76

**LC UNDERCARRIAGE - 2.11 m length, 600 mm shoes, bucket of 0.55 m<sup>3</sup> (410 kg). Maximum reach 7.96 m**

7.5 m								2060*	2060*							4.60
6.0 m								2890*	2890*	2270*	2150					6.26
4.5 m								3230*	3230*	3010*	2130					7.14
3.0 m					5670*	5670*	4250*	3290	3230	2030	1800*	1340				7.58
1.5 m					8010*	5700	4980	3040	3100	1920	2130	1300				7.67
0 m					7280*	5340	4780	2850	3000	1830						7.44
-1.5 m			5450*	5450*	9080*	5400	4720	2810	2970	1800						6.86
-3.0 m			8150*	8150*	8050*	5540	4790	2890								5.85
-4.5 m					5470*	5470*										4

**LC UNDERCARRIAGE - 3.01 m length, 600 mm shoes, bucket of 0.37 m<sup>3</sup> (340 kg). Maximum reach 8.77 m**

7.5 m														1360*	1360*	5.96
6.0 m										2220*	2220*			1190*	1190*	7.26
4.5 m										2590*	2250	2040*	1460	1130*	1130*	8.02
3.0 m								3440*	3390	2970*	2140	2260	1420	1140*	1110	8.40
1.5 m					6600*	6100	4680*	3180	3180	1990	2190	1350	1200*	1060		8.49
0 m			2590*	2590*	8530*	5480	4860	2930	3050	1870	2120	1290	1330*	1080		8.28
-1.5 m	3690*	3690*	4550*	4550*	9090*	5310	4700	2790	2960	1790	2100	1260	1560*	1190		7.76
-3.0 m	5040*	5040*	6660*	6660*	8830*	5380	4710	2810	2990	1820			2030*	1460		6.89
-4.5 m			10670*	10670*	7320*	5590	4740	2970					3270*	2130		5.49

\* The above loads (kg) are compliant to the ISO standards and refer to the excavator equipped with bucket. The indicated loads are no more than 87% of hydraulic system lift capacity or 75% of static tipping load. Values marked with an asterisk (\*) are limited by the hydraulic lifting capacity rather than the tipping load.